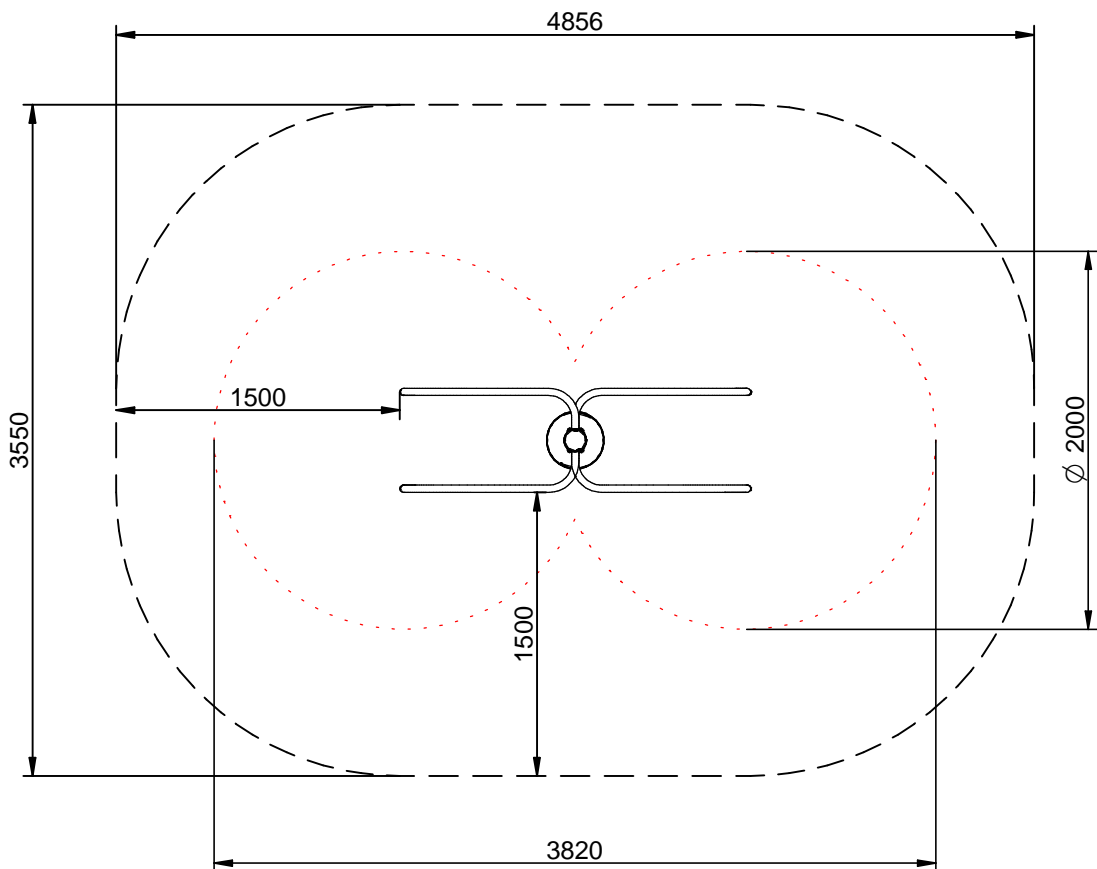
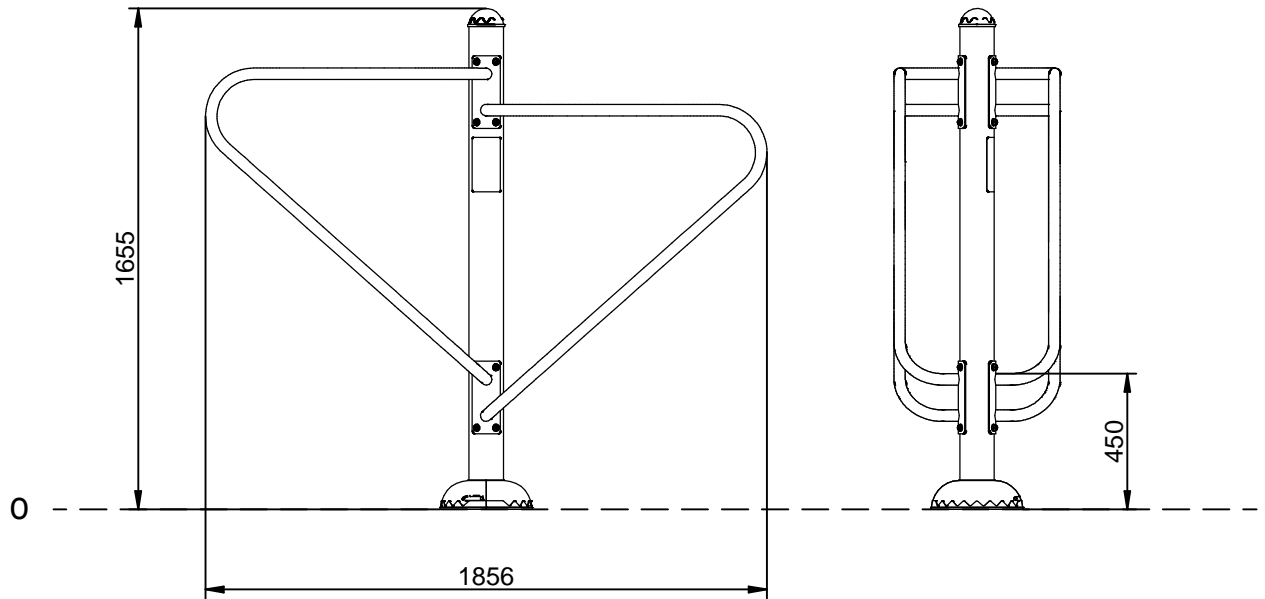


BARRAS | BARRES | BARS | BARRAS



Stotal = 15,30 m<sup>2</sup> H= 0 m

V 02.05/03/2018